

**LED Series**

**KLS9-L Bi Color LED Lamp Series**

**KLS9 - L - 501 3 G D - XXX**

1            2            3            4            5            6            7

1. Brand: KLS ELECTRONIC

2. Digit Mode: L-Lamp

3. Package Type (style):

4. Leads Type:

0: Surface Mounting Lead for SMD

2: 18mm Lead Length Standard

4: 25.4mm Lead Length with small Reflector

7: 25.4mm Lead Length with 2 Leads for bi-color

1: 20mm Lead Length with Stand-off

3: 25.4mm Lead Length with big Reflector

5: 25.4mm Lead Length with 3 Leads for bi-color

9: 25.4mm Lead Length with 3 Leads for bi-color

5. Color Code:

H: Red	GaP / GaP	700nm	UG: High Bright Green	AlGaInP 574nm
S: High Bright Red	GaAlAs / GaAs	SH 660nm	PG: Super Pure Green	AlGaInP 525nm
D: Super Bright Red	GaAlAs / GaAs	DH 660nm	BG: Super Bluish Green	AlGaInP 505nm
UR: Ultra Bright Red	GaAlAs / GaAlAs	DDH 660nm	B: Blue GaN / SiC	430nm
UHR: Ultra Bright Red	AlGaInP	640nm	UB: Super Bright Blue	InGaN / SiC 470nm
E: Orange	GaAsP / GaP	635nm	V: UV	InGaN / SiC405nm
UE: High Bright Orange	AlGaInP	630nm	W: White	
Y: Yellow	GaAsP / GaP	585nm	EG: Orange + Green Bi-Color	
UY: High Bright Yellow	AlGaInP	590nm	SG: High Red + Green Bi-Color	
G: Green	GaP / GaP	568nm	RGB: Multicolor	

6. Len Color: D: Color Diffused      T: Color Transparent      C: Water Clear      W: White Diffused

CD: Color Top Diffused      WD: White Top Diffused      E: Orange Diffused

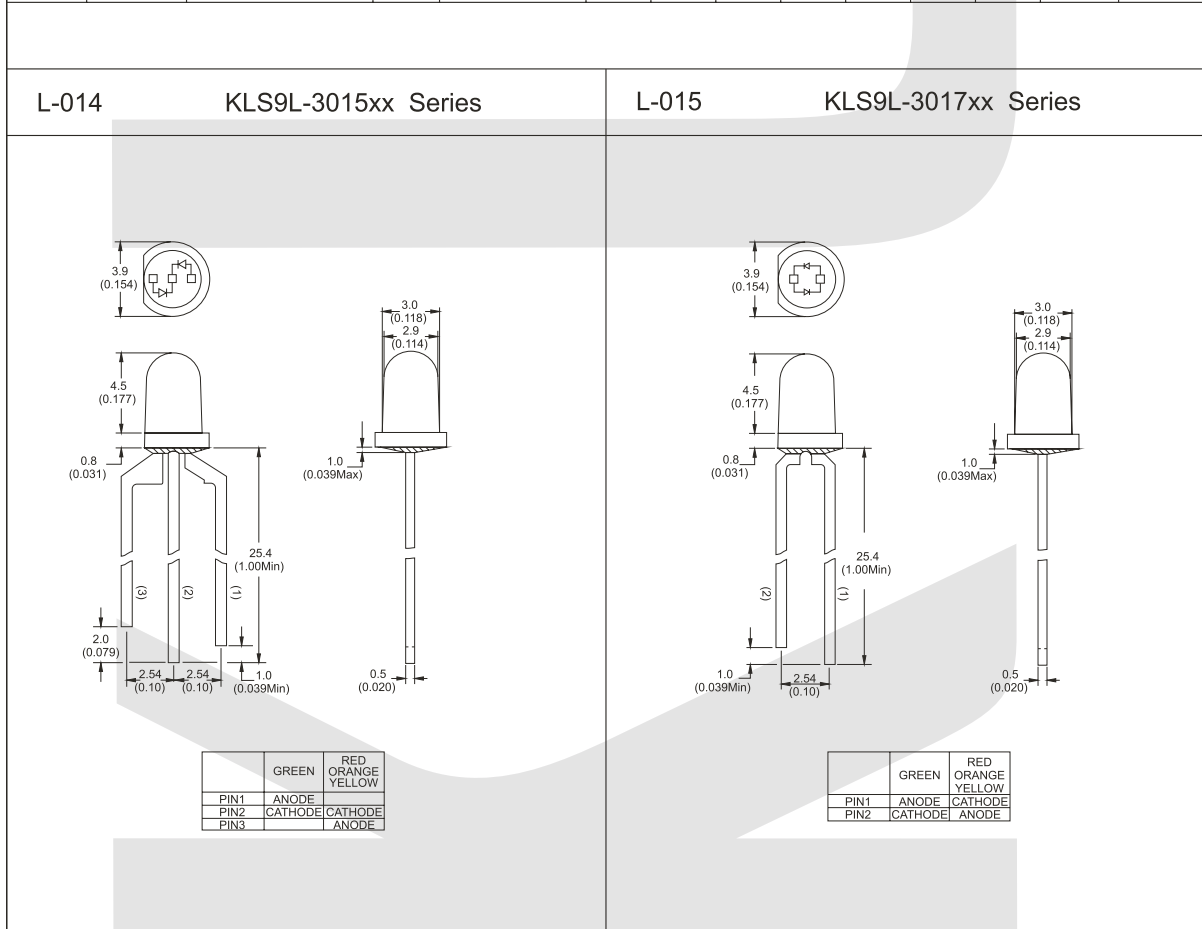
7. Special Operation & Other:

**LED Series**

**KLS9-L Bi Color LED Lamp Series**



Package	Part No. KLS9L-	Chip		Lens Appearance	Absolute Maximum Ratings				Electro-optical Data(At 20mA)			Viewing Angle 2θ1/2 (deg)	Drawing No.
		Material/Emitted Color	Peak Wave Length λp (nm)		Δλ (nm)	Pd (mw)	If (mA)	Peak (mA)	Vf(V)		Iv (mcd)		
									Typ	Max			
T-1 Standard 1.0" Lead φ 3	3015EGW	GaAsP/GaP Orange	635	Water diffused	35	80	30	150	2.10	2.50	15	60	L-014
		GaP/GaP Green	568	Water diffused	30	80	30	150	2.20	2.50	10		
	3015YGW	GaAsP/GaP Yellow	585	Water diffused	35	80	30	150	2.10	2.50	10		
		GaP/GaP Green	568	Water diffused	30	80	30	150	2.20	2.50	10		
	3015UE UGW	AlGaInP/Ultra Orange	630	Water diffused	17	65	30	150	2.10	2.50	180		
AlGaInP/Ultra Green		574	Water diffused	30	75	30	150	2.20	2.50	120			
T-1 Standard 1.0" Lead φ 3	3017EGW	GaAsP/GaP Orange	635	Water diffused	35	80	30	150	2.10	2.50	15	60	L-015
		GaP/GaP Green	568	Water diffused	30	80	30	150	2.20	2.50	10		
	3017YGW	GaAsP/GaP Yellow	585	Water diffused	35	80	30	150	2.10	2.50	10		
		GaP/GaP Green	568	Water diffused	30	80	30	150	2.20	2.50	10		
	3017UE UGW	AlGaInP/Ultra Orange	630	Water diffused	17	65	30	150	2.10	2.50	180		
AlGaInP/Ultra Green		574	Water diffused	30	75	30	150	2.20	2.50	120			



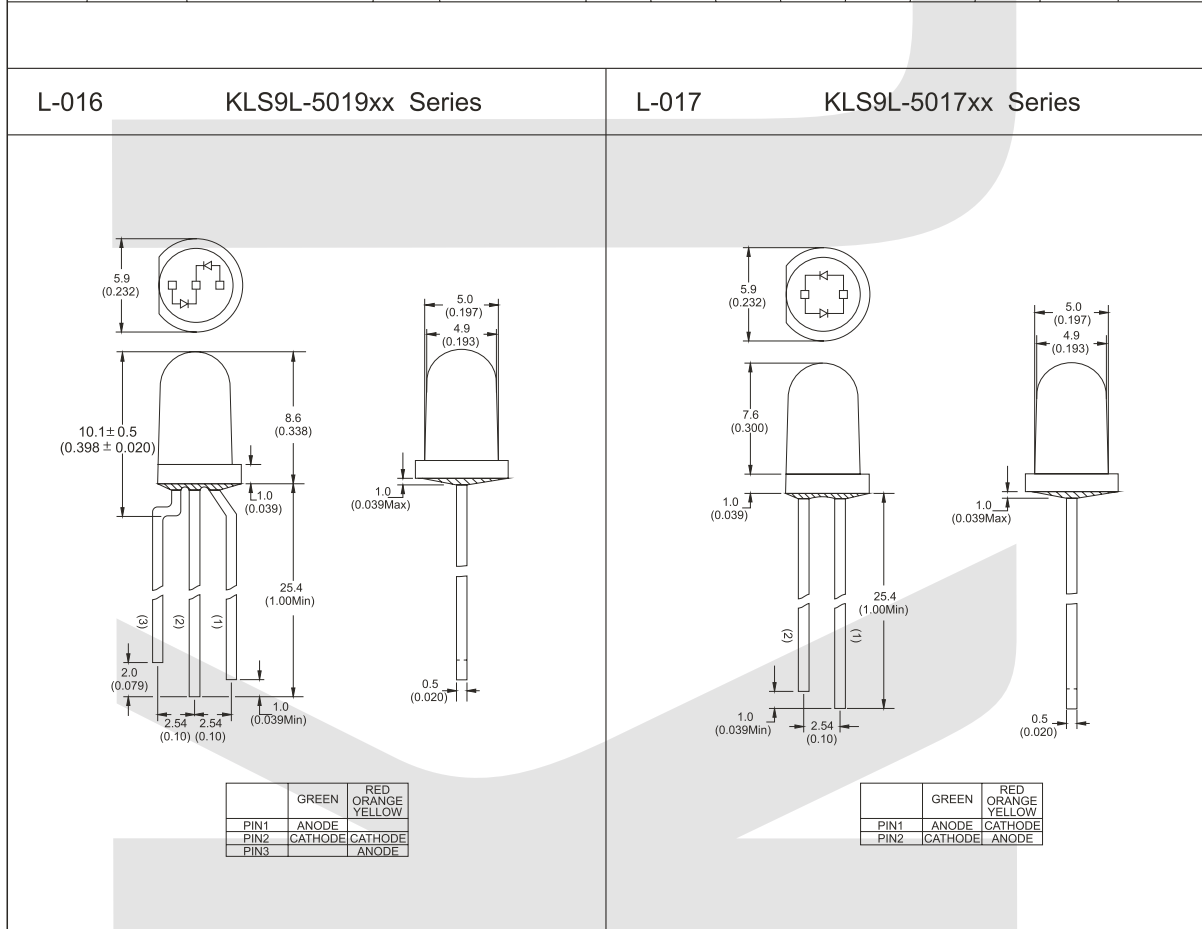
All specification & dimensions are subject to change, please call your nearest KLS sales representative for update information

**LED Series**

**KLS9-L Bi Color LED Lamp Series**



Package	Part No. KLS9L-	Chip		Lens Appearance	Absolute Maximum Ratings				Electro-optical Data(At 20mA)			Viewing Angle 2θ1/2 (deg)	Drawing No.
		Material/Emitted Color	Peak Wave Length λp (nm)		Δλ (nm)	Pd (mw)	If (mA)	Peak (mA)	Vf(V)		Iv (mcd)		
									Typ	Max	Typ		
T-1 3/4 Standard 1.0" Lead φ 5	5019EGW	GaAsP/GaP Orange	635	Water diffused	35	80	30	150	2.10	2.50	20	60	L-016
		GaP/GaP Green	568	Water diffused	30	80	30	150	2.20	2.50	15		
	5019YGW	GaAsP/GaP Yellow	585	Water diffused	35	80	30	150	2.10	2.50	15		
		GaP/GaP Green	568	Water diffused	30	80	30	150	2.20	2.50	15		
	5019UE UGW	AlGaInP/Ultra Orange	630	Water diffused	17	65	30	150	2.10	2.50	190		
		AlGaInP/Ultra Green	574	Water diffused	30	75	30	150	2.20	2.50	130		
T-1 3/4 Standard 1.0" Lead φ 5	5017EGW	GaAsP/GaP Orange	635	Water diffused	35	80	30	150	2.10	2.50	20	60	L-017
		GaP/GaP Green	568	Water diffused	30	80	30	150	2.20	2.50	15		
	5017YGW	GaAsP/GaP Yellow	585	Water diffused	35	80	30	150	2.10	2.50	15		
		GaP/GaP Green	568	Water diffused	30	80	30	150	2.20	2.50	15		
	5017UE UGW	AlGaInP/Ultra Orange	630	Water diffused	17	65	30	150	2.10	2.50	190		
		AlGaInP/Ultra Green	574	Water diffused	30	75	30	150	2.20	2.50	130		



All specification & dimensions are subject to change, please call your nearest KLS sales representative for update information